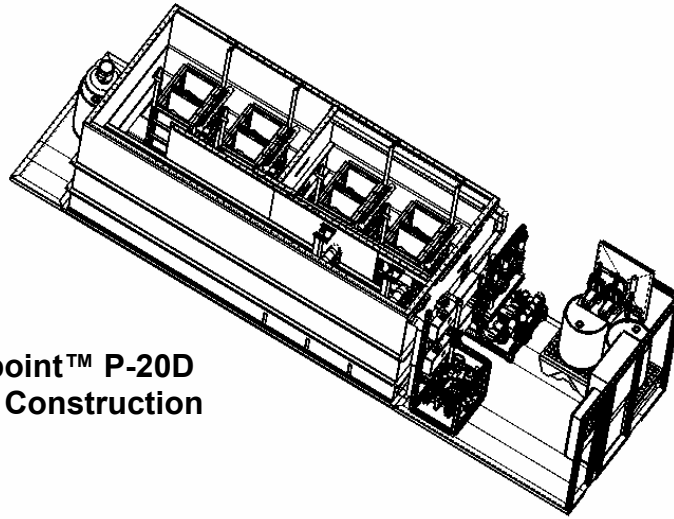




## Seapoint P-20D General Specification

### Palletized Wastewater Treatment Package Plant



Seapoint™ P-20D  
Steel Construction

#### **Wastewater Processing Capabilities:**

- Treatment system based on flat-plate membrane bio-reactor (MBR) technology
- Up to 17.4 GPM, 25,000 GPD average flow
- Up to 34.7 GPM, 50,000 GPD emergency flow (up to 24 hours)
- Effluent *Supplied Head Pressure*: 15'

**Influent, Effluent, and Process Characterization:** The following influent and effluent values are for standard plant equipment. Additional treatment options are available for influent concentrations that exceed these values and effluent concentrations that must be lower.

#### • **Wastewater Influent**

- *Maximum Particle Size*: 1/8" (3 mm)
- *TSS*: 30-day average not to exceed 300 mg/L
- *BOD<sub>5</sub>*: 30-day average not to exceed 300 mg/L
- *TKN*: 30-day average not to exceed 45 mg/L

#### • **Process Conditions**

- *Operating Temperature*:
  - For 25,000 GPD: 59°F (15°C) to 80°F (27°C)
  - For 20,000 GPD: 50°F (10°C) to 80°F (27°C)
- *MLSS Concentration*: 12,000 mg/L (typical)
- *pH*: 5.0 – 9.0

#### • **Treated Effluent**

- *TSS*: 30-day average not to exceed 5 mg/L
- *BOD<sub>5</sub>*: 30-day average not to exceed 5 mg/L
- *Total Nitrogen*: 30-day average not to exceed 10 mg/L
- *Turbidity*: 30-day average not to exceed 1.0 NTU
- Fecal Coliform Bacteria: None detectible

# Seapoint P-20D General Specification

## Materials of Construction

- Pallet and tanks are a fabricated, welded steel unit.
- Mounting hardware for equipment inside the tanks is stainless steel.
- Tanks are protected with an epoxy paint.

## Mechanical Equipment

- Effluent pumps, recirculation pumps, aeration blowers, control valves, and ultraviolet disinfection units are pre-mounted on the P-20D
- Supply pumps are included with the P-20D for installation in the equalization tank
- Standard system has installed backups for pumps, blowers, and UV disinfection
- An odor control system treats the process air released from the MBR

## Electric Power Requirements:

- *Customer Supplied Inlet Power:* 3 phase power standard.
- *Voltage and Frequency:* will match local requirements.
- *Frequency Stability Limit:* +/- 1 Hz of specified line frequency
- *Line Voltage Fluctuation Limit:* +/- 5%
- *Power:*

- Average Operating: 16 kW
- Peak Operating: 21 kW
- Connected Equipment: 34 kW

Note: Estimated power usage is based on pump and blower ratings.  
Actual power usage depends on operating conditions and will normally be lower.

## Plumbing Connections (at the P-30D interface):

- *Wastewater Influent:* a 2" PVC connection for inflow from the equalization tank
- *Treated Effluent:* a 1 ½" PVC connection for permeate discharge
- *Sludge Wasting:* a 1 ½" PVC connection for wasting sludge to either a holding tank or to a tank truck
- *Drain:* a 2" PVC connection to drain MBR tanks to equalization tank

## System Controls & Process Monitoring:

- Control system based on a GE Fanuc PLC
- Display panel for alarms and faults
- System designed for total automatic operation including automatic switchover to standby equipment if required
- Optional automatic telephone dialer for emergency notification

## Environmental limits:

- *Operating Temperature:* ambient temperatures ranging from 40°F (4°C) to 90°F (32°C)
- *Seasonal Usage:* when drained, system is designed for long-term non-use (24 months or greater) with a temperature range from -40°F (-40°C) to 140°F (60°C)

# Seapoint P-20D General Specification

## System Size and Weight:

- Empty Weight (without water) = 16,800 pounds (7,600 kg)
- Operating Weight (with water) = 87,000 pounds (39,000 kg)
- Size: 27'-5" long, 7'-5" wide, and 10'-8" high  
(836 cm long, 226 cm wide, and 325 cm high)

- Notes:
1. Height does not include allowance for a removable cover for foam and odor containment (add approximately 24" to height)
  2. A clearance of 6 feet from the top of the tank to a lifting hook (16 feet 8 inches from floor) is required for membrane cassette removal and replacement. In an enclosure, this can either be roof height or through a hatch in the roof.

## Site Preparation Requirements:

- **Location:** The installation site should be located in close proximity to the wastewater collection area and a power source sufficient to operate the system. The installation must permit access by equipment capable of transporting, offloading, and handling the design loads.
- **Site Suitability:** The site must be level and stable enough to support the system gross weight, when fully loaded and processing wastewater. Foundation must be prepared in accordance with local codes.
- **Additional Tanks:** A collection/separation tank, which receives all wastewater, and an equalization tank, which supplies the treatment unit, are required. The minimum size of each tank is determined in consultation with SEAPOINT after evaluation of the application's flow distributions. Typically, the volume of each is 1/2 the average daily flow. Filtering capable of removing all particles greater than 1/8" (3 mm) is required between tanks. These filters are supplied by SEAPOINT for installation into the collection tank. A sludge holding tank is optional. The need for this tank depends on how the owner decides to operate and maintain the system.
- **Site Work:** Installation of enclosure, pallets, and tanks, and all on-site plumbing, electrical, and mechanical connections are the responsibility of the customer.

Seapoint™ Package Plants

Seapoint, LLC

[www.seapointllc.com](http://www.seapointllc.com)

Phone: (978) 887-3552